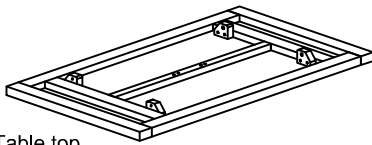
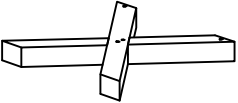

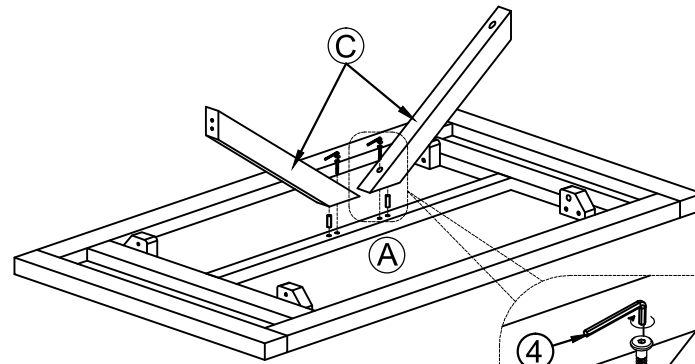


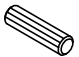



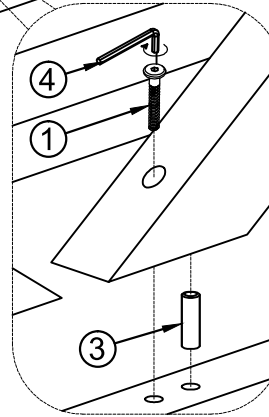
SALISBURY 테이블 190x90 G2932 내추럴

MARKET B

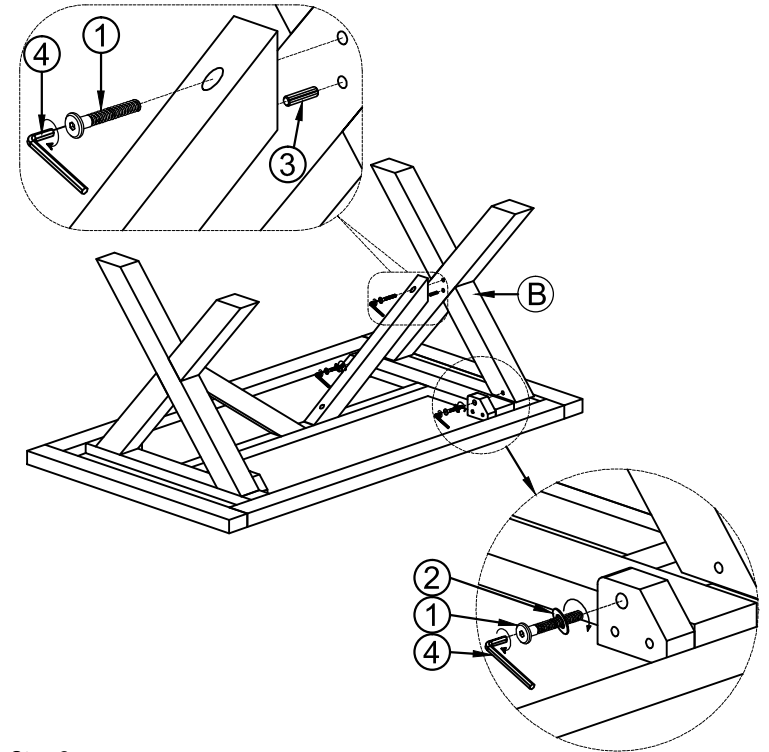
No	Name of Component	Q.ty
Ⓐ	 Table top	1
Ⓑ	 Leg frame	2
Ⓒ	 Support bar	2



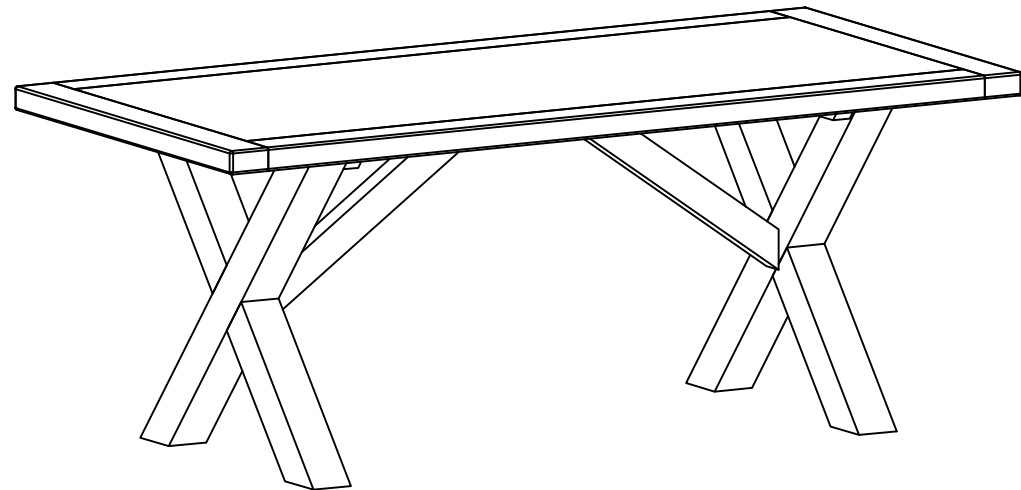
No	Name of Hardware	Q.ty
①	Bolt M8 x 50 	8
②	Washer Ø18/Ø9 x 2 	4
③	Wood Dowel Ø10 x 40 	4
④	Allen key K4 	1



Step 1



Step 2



Final