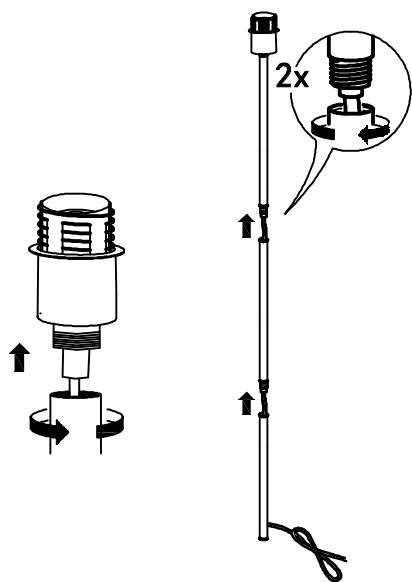


MARKET B

Article No:KS2622F

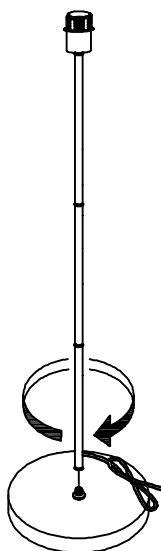
100-240V~ 50-60Hz

E26 MAX 20W

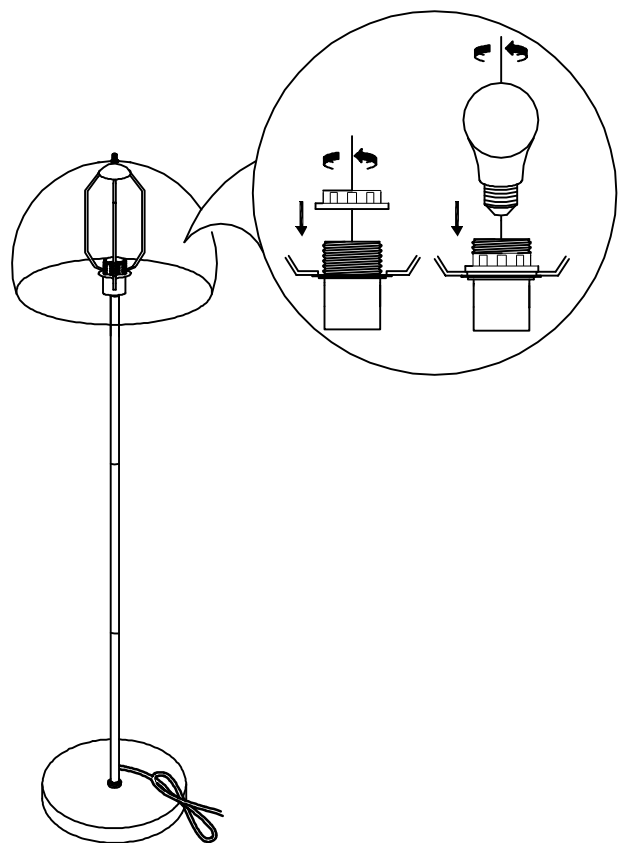


1

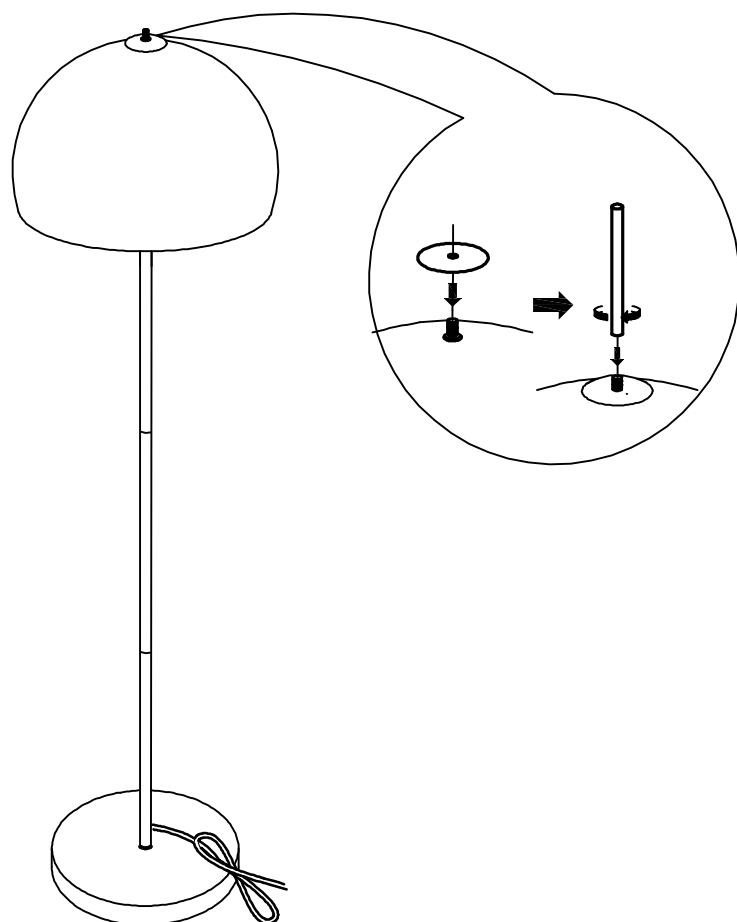
2



3



4



5

